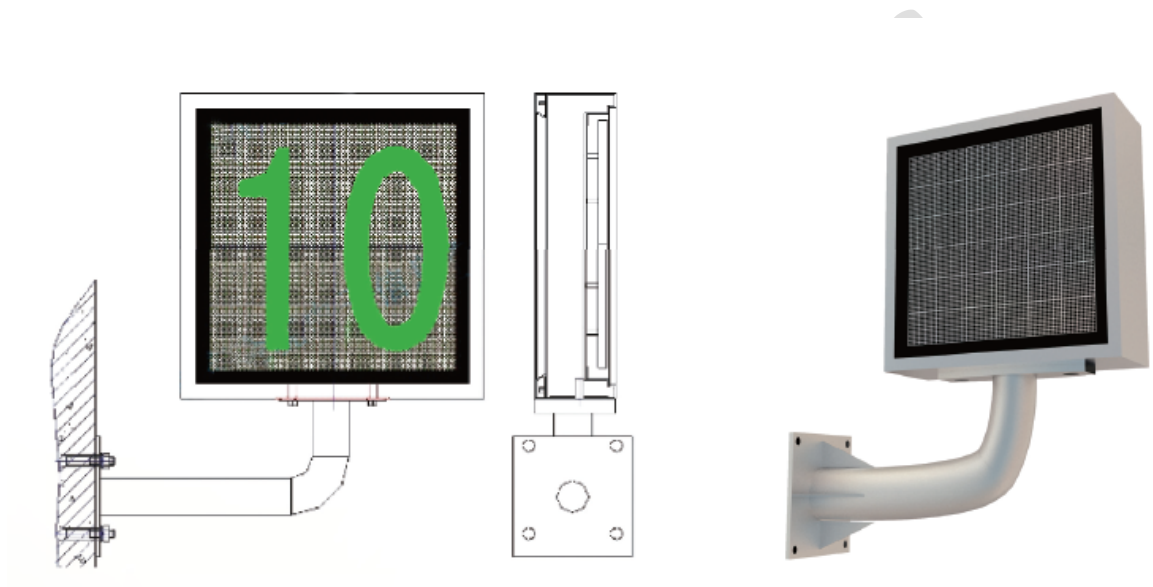


Genture Electronics

Dedicate itself to LED innovation & application



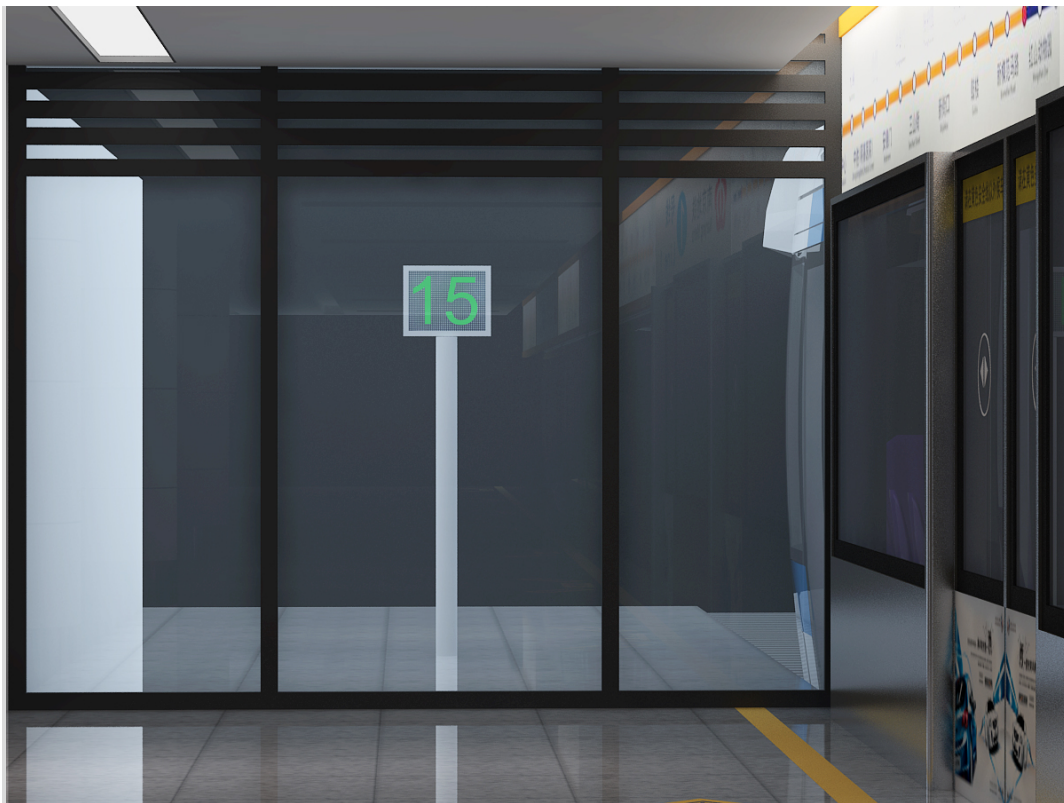
Product Manual

---DTI (Departure Time Indicator)



Part 1 DTI (Departure Time Indicator)

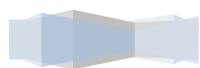
1.1.1 Product Overview



- ◆ DTI will display the countdown information, remind the departure time to the driver, ensuring that the train departs on time.;
- ◆ The significant advantage, like low power consumption, powerful function, strong expansibility, make DTI gain customers and rapidly dominate the markets

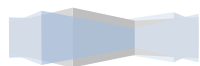
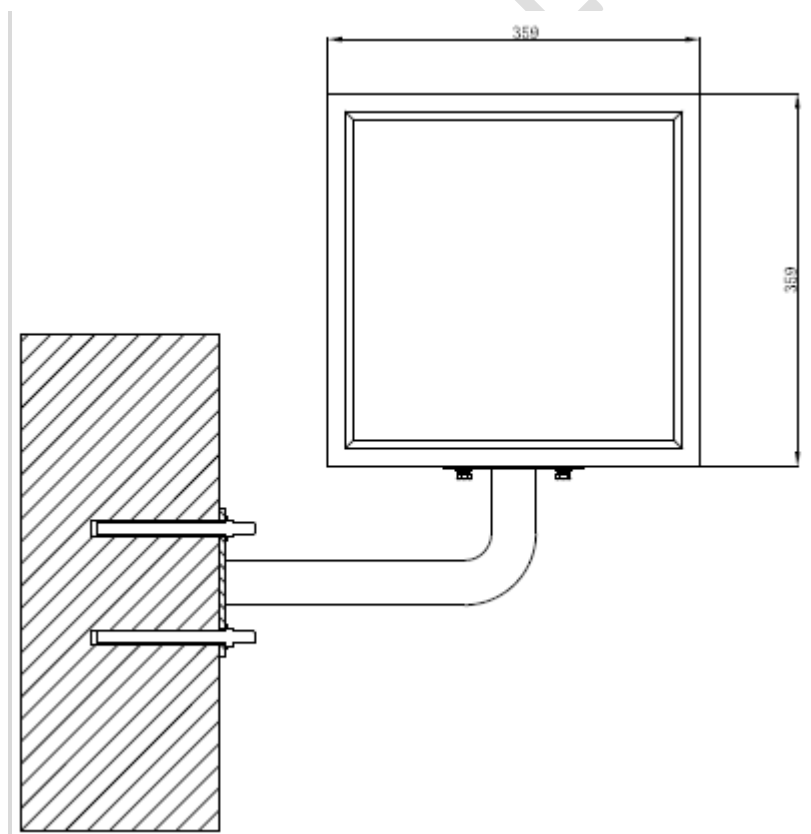
1.1.2 Specifications

Name	Parameter
Pixel pitch	4.75mm
Pixel configuration	1R1G
Display type	R、A、G



Name	Parameter
Display Area	304mm*304mm
Resolution	64*64
Viewing Angle	60°/70°
IP grade	IP65
Operation Temperature	-40°C~75°C
Relative humidity	5%~95%
MTBF	>50000h

1.1.3 Installation Diagram



1.1.4 Contact Us

Address: Genture Electronics, No. 8 Yuanhua Rd,
Science Park in Nanjing University
210046, Nanjing, China

Web: en.genture.com

E-mail: info@genture.com

Tel: +86-25-8778227 0

Fax: +86-25-52897985

Genture Electronics

